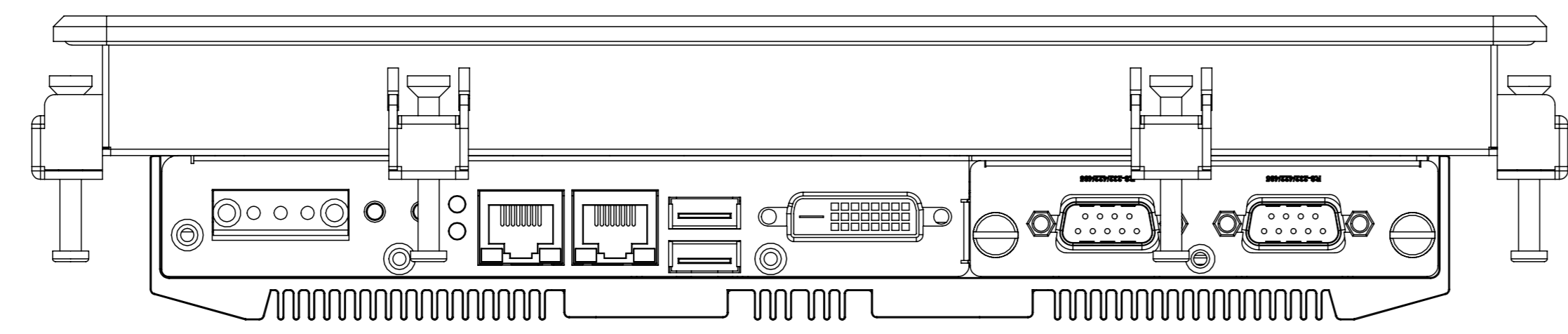


Note:  
Unit:mm



Panel Mount Bracket MAX. Height 10.0mm

Panel Cutout Dimension

\*加註數字編號為重點尺寸,請QC單位列為檢驗重點

Ver : 0

Mark	Description	Date	Sign
4			
3			
2			
1			

**Portwell Inc.**  
7F, No. 242, Bo-Ai St., Shu-Lin City, Taipei County 238, Taiwan  
Tel: +886-2-7731-8888 Fax: +886-2-7731-9888

TOL ±	M1	M2	CNC	S2	P1	P2	C	P/C	TITLE	DWG. NO.	B712	DATE	02/16/16	
RANGE									MODEL	FUDA-S1021	PARTS NO.	B712	Viewpoint	
0~6	.05	0.1	0.2	0.2	0.5	0.1	0.5	0.2	MATERIAL		APPROVED.		SCALE	1=1
7~30	0.1	0.2	.25	.25	0.1	.15	1	0.2	FINISH	烤細織紋漆/PMS Black C	DRAWN	Neil	UNIT	mm.
31~80	.15	.25	0.3	0.3	0.2	0.4	2	0.2						
81~180	.15	0.3	.35	.45	0.4	0.8	3	0.25						
181~315	0.2	0.5	0.4	0.6	0.6	1.2	3	0.3						
316~800	0.3	0.8	0.5	1.1	0.8	1.5	4	0.4						