

# GADIWA-R9142

140W DC/DC 9~32V input/ 24V output  
Board type Regulator



GADIWA-R9142 is a DC to DC 9V~32V input to 24V output board type Regulator. It normally support continuous 140 Watts and peak 160 Watts.

GADIWA-R9142 can save more space, less than 1U width, and cost. It's not only capability for fan-less system but also suitability for different applications. Besides, the converter is made and tested by automatic production line; therefore, it can provide high quality and better performance.

## FEATURES

- 9~32V/Wide-input, 24V/output Regulator with ATX connector with board output
- Compact and user-friendly design for installation and maintenance
- Fan-less design for mission-critical application
- -40°C to 75°C wide temperature support

## SPECIFICATION

Input Voltage	9V~32V
Output	24V 140Watts / 160 Watts Peak
Efficiency	95% @24V, 5.833A output, 25°C
MTBF	420,000hrs @ 55°C
EMI & Safety Approval	CE, FCC
Input Connector	12V 3 pin
Output Connector	Mini-Fit 8 pin
Dimension (WxDxH)	93.4 x 38 x 20 mm
Operation Temperature	-40°C to 75°C

## CHARACTERISTICS

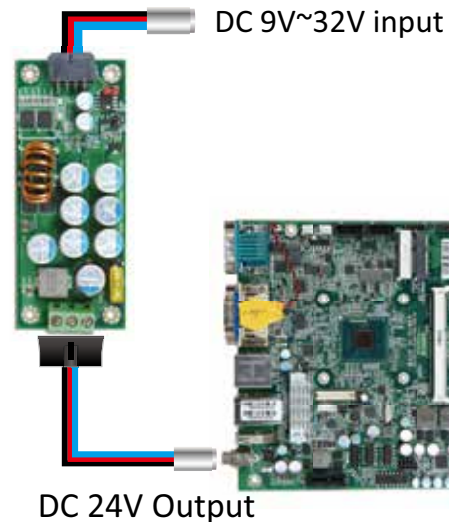
Output Voltage	Load Regulation	Cross Regulation
Output Voltage	Load Regulation	Cross Regulation
+24V	0~5.8A	5.8A

## ORDERING GUIDE

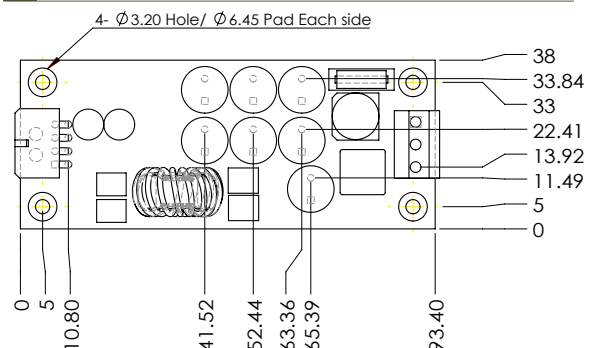
### GADIWA-R9141

140W 9V~32V input to 12V output DC to DC Power module.Wide Temperature

## Installation Image



## MECHANICAL DRAWING



### Portwell, Inc. (Headquarters)

No. 242, Bo'AI St., Shu-Lin Dist,  
New Taipei City 238, Taiwan  
Tel: +886-2-77318888  
Fax: +886-2-77319888  
E-mail: [info@portwell.com.tw](mailto:info@portwell.com.tw)  
<http://www.portwell.com.tw>

### American Portwell (Fremont, CA)

Tel: +1-510-403-3399  
Fax: +1-510-403-3184  
E-mail: [info@portwell.com](mailto:info@portwell.com)  
<http://www.portwell.com>

### Portwell Latin America (Brazil)

Tel: +55-41-3121-7200  
Tel: +55-41-3121-7201  
E-mail: [vendas@portwell.com.br](mailto:vendas@portwell.com.br)  
<http://www.portwell.com.br>

### Portwell Japan, Inc. (Osaka)

Tel: +81-6-4807-7721  
Fax: +81-6-4807-7720  
E-mail: [info@portwell.co.jp](mailto:info@portwell.co.jp)  
<http://www.portwell.co.jp>

### European Portwell

Tel: +31-252-620790  
E-mail: [info@portwell.eu](mailto:info@portwell.eu)  
<http://www.portwell.eu>

### Portwell India Technology

Tel: +91-80-41684255  
E-mail: [info@portwell.in](mailto:info@portwell.in)  
<http://www.portwell.in>

### Shanghai Portwell

Tel: +86-21-5771-2505  
Fax: +86-21-5772-2965  
E-mail: [info@portwell.com.cn](mailto:info@portwell.com.cn)  
<http://www.portwell.com.cn>

### Portwell Japan, Inc. (Tokyo)

Tel: +81-3-6902-9225  
Fax: +81-3-6902-9226  
E-mail: [info@portwell.co.jp](mailto:info@portwell.co.jp)  
<http://www.portwell.co.jp>

### Portwell Korea, Inc.

Tel: +82-31-450-3043  
Fax: +82-31-450-3044  
E-mail: [info@portwell.co.kr](mailto:info@portwell.co.kr)  
<http://www.portwell.co.kr>

### Portwell Deutschland GmbH

Tel: +49-6103-3008-0  
Fax: +49-6103-3008-199  
E-mail: [info@portwell.de](mailto:info@portwell.de)  
<http://www.portwell.de>

### Portwell UK Ltd.

Tel: +44-1235-750760  
Fax: +44-1235-750761  
E-mail: [info@portwell.co.uk](mailto:info@portwell.co.uk)  
<http://www.portwell.co.uk>